

**KIT PART NUMBER 4550835**  
**INSTRUCTIONS FOR INSTALLING MICHELINA'S BRANDED**  
**HEADERS ON A FROZEN GOURMET**

**CHECK THE PARTS RECEIVED IN THE KIT WITH THE PARTS LIST IN THESE INSTRUCTIONS. IF ANY PARTS ARE MISSING, CONTACT THE CRANE MERCHANDISING SYSTEMS PARTS DEPARTMENT IMMEDIATELY.**

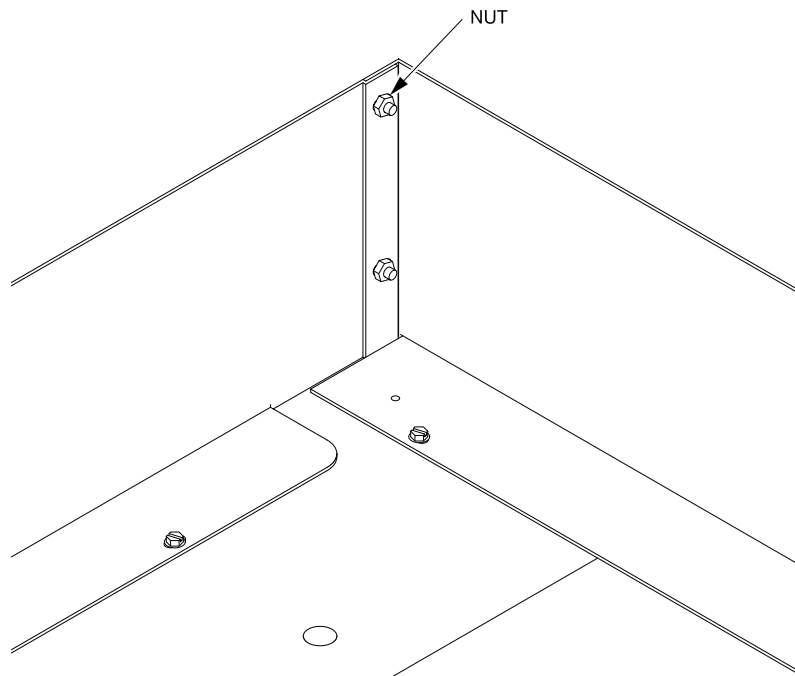
**Read these instructions carefully before installing the kit.**  
**Keep these instructions for part numbers and for future reference.**

**THIS KIT CONTAINS THE FOLLOWING :**

PART NUMBER	DESCRIPTION	QUANTITY
4551312	ASSEMBLY - CENTER PLATE WITH DECAL	1
4551278	PLATE - HEADER - LEFT	1
4551279	PLATE - HEADER - RIGHT	1
9900081	NUT - 8-32 KEPS ZINC PLATE	-
4741050	SCREW-#8-32 X .50 HX.HD.-T/F	9

1. Prior to attaching to the machine, assemble the following using nuts 9900081 (see figure 1):

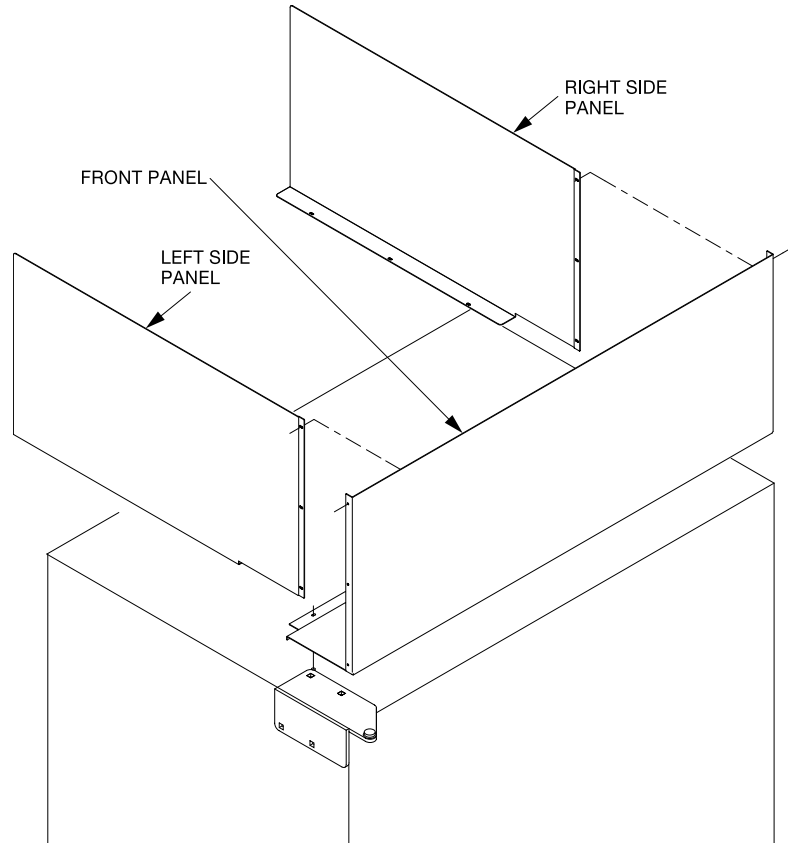
Assembly - center plate with decal (4551312),  
 Plate - header - left (4551278),  
 Plate - header - right (4551279).



**Figure 1**

455pk002

- 
- Carefully lift the header assembly to the top of the machine (see figure 2).



**Figure 2**

- Position the header assembly until the front and both sides are flush with the sides and front of the machine, and are oriented squarely on the machine's top.
- Using the remaining slots in the bottom flange of the header assembly as a template, drill mounting holes in the machine's top with an 0.140 drill bit.
- Secure the header assembly to the machine's top using screws 4741050.